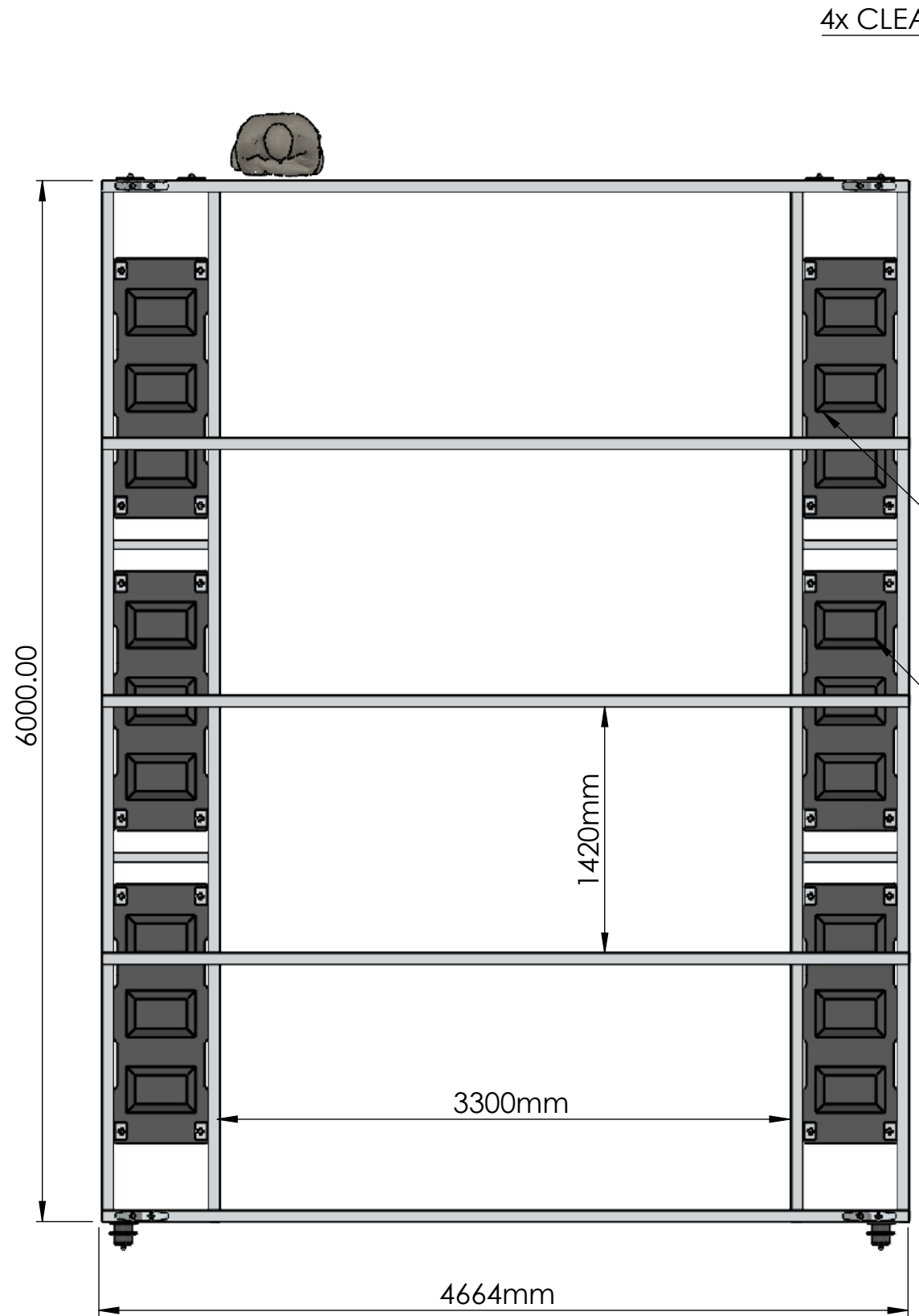
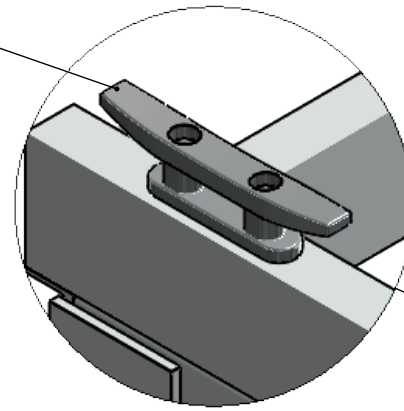


DO NOT SCALE



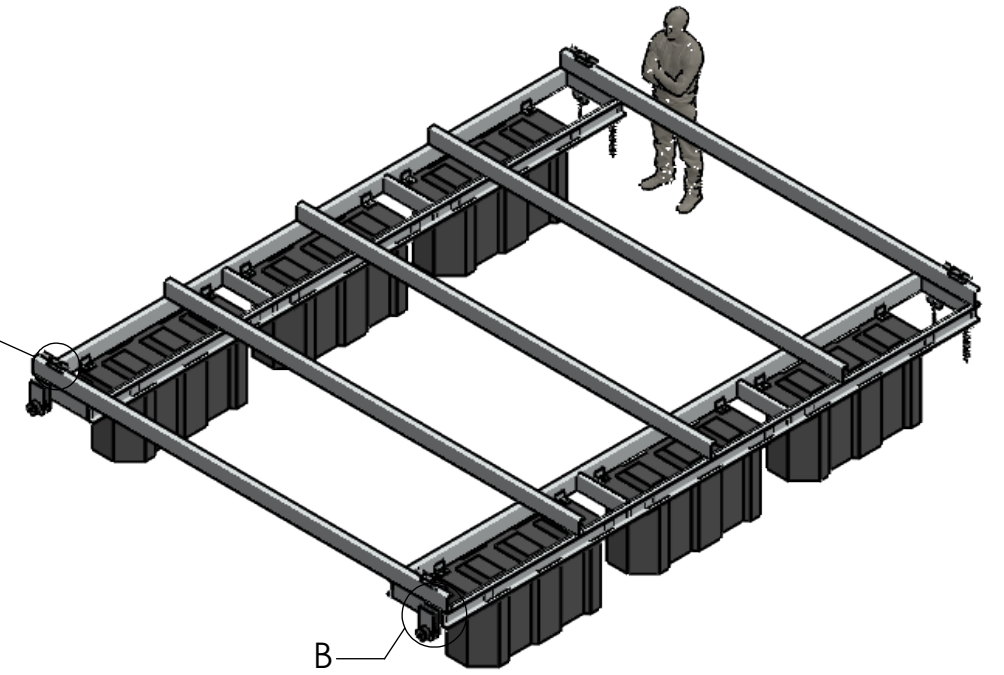
4x CLEAT



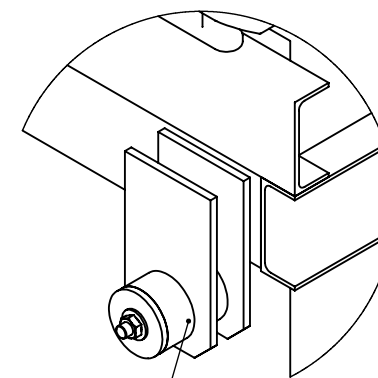
DETAIL C
SCALE 1 : 7

6x 550L FLOATS

FLOAT MODULES 550L DRAWING NO. A4-1052
 SUPPLIED BY MARINE DOCK SYSTEMS
 MOULDED BY DYNAPLAS PTY LTD
www.marinedocksystems.com.au



B



DETAIL B
SCALE 1 : 10

COMTOR UNIT

<https://marinedocksystems.com.au/drawings/a4-400.pdf>

MATERIAL

- FLOATION MODULES ARE MANUFACTURED BY MARINE DOCK SYSTEMS FROM U.V STABILISED, HIGH STRESS CRACK RESISTANT, LINEAR POLETHYLENE.

- STANDARD COLOUR- BLACK
- APPROX. WEIGHT -30KG
- DUE TO MANUFACTURING PROCESS, FLOAT DIMENSIONS MAY VARY

NOTES

PICTURED IS A SINGLE MODULAR SYSTEM THAT CAN BE BOLTED TOGETHER TO ACHIEVE DESIRED RUN OF OYSTER LEASES

FOR ADDITIONAL TECHNICAL INFO CONSULT
 MARINE DOCK SYSTEMS (02) 9627557

DEPICTED PERSON STANDS AT 185cm OR 6' 1"

MARINE DOCK SYSTEMS
 PTY LTD

TITLE:

RAFT CULTIVATION SYSTEM



PART NO.

6.0m x 4.66m OYSTER PONTOON
 6x 550L FLOATS
 4x COMTOR UNITS

TOLERANCES:

LINEAR ±1.0
 ANGULAR ±0.2°
 HOLE CTRS ±0.5

MATERIAL: (ALUMINIUM T5 6061)

SCALE

N.T.S

DRAWN

M.N

DATE

16/02/2023

DRAWING NO.

7054-01

DATE: 16/02/2023

REVISION C SHEET 1 OF 1 A3